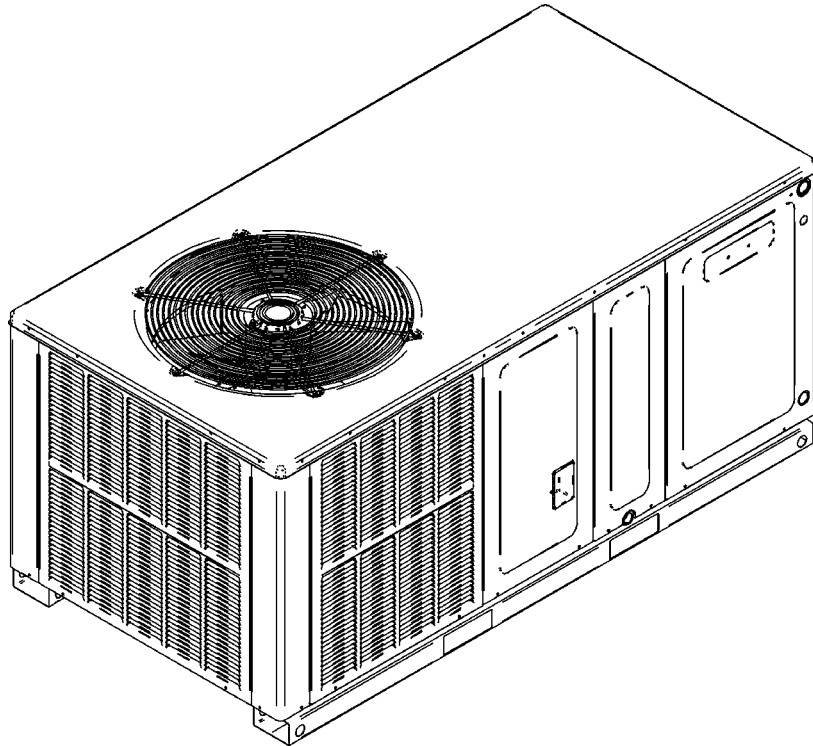


REPAIR PARTS

GPH14 H-Series Package Heat Pumps

GPH1424H41AB
GPH1424H41AC
GPH1424H41BA
GPH1424H41CA
GPH1430H41AB
GPH1430H41AC
GPH1430H41BA
GPH1430H41CA
GPH1436H41AB
GPH1436H41AC
GPH1436H41BA
GPH1436H41CA
GPH1442H41AB
GPH1442H41AC
GPH1442H41BA
GPH1442H41CA
GPH1448H41AB
GPH1448H41AC
GPH1448H41BA
GPH1448H41CA
GPH1460H41AB
GPH1460H41AC
GPH1460H41BA



This manual is to be used by qualified technicians only.

This manual replaces RP-631A.

© 2010-2013 Goodman Manufacturing Company, L.P. ♦ 5151 San Felipe, Suite 500 ♦ Houston, TX 77056

Important Information

Index

Functional Parts List	3
Illustration and Parts	4 - 11

Views shown are for parts illustrations only, not servicing procedures.

Rev B: Broad Ocean Digi Motors and Aluminum Evaporator Coils

Text Codes:

AR - As Required

NA - Not Available

NS - Not Shown

00000000 - See Note

QTY - Quantity Example (QTY 3) (If Quantity not shown, Quantity = 1)

M - Model Example (M1) (If M Code not shown, then part is used on all Models)

Expanded Model Nomenclature:

Example M1 - Model#1 M2 - Model#2 M3 - Model#3

Goodman Manufacturing Company, L.P. is not responsible for personal injury or property damage resulting from improper service. Review all service information before beginning repairs.

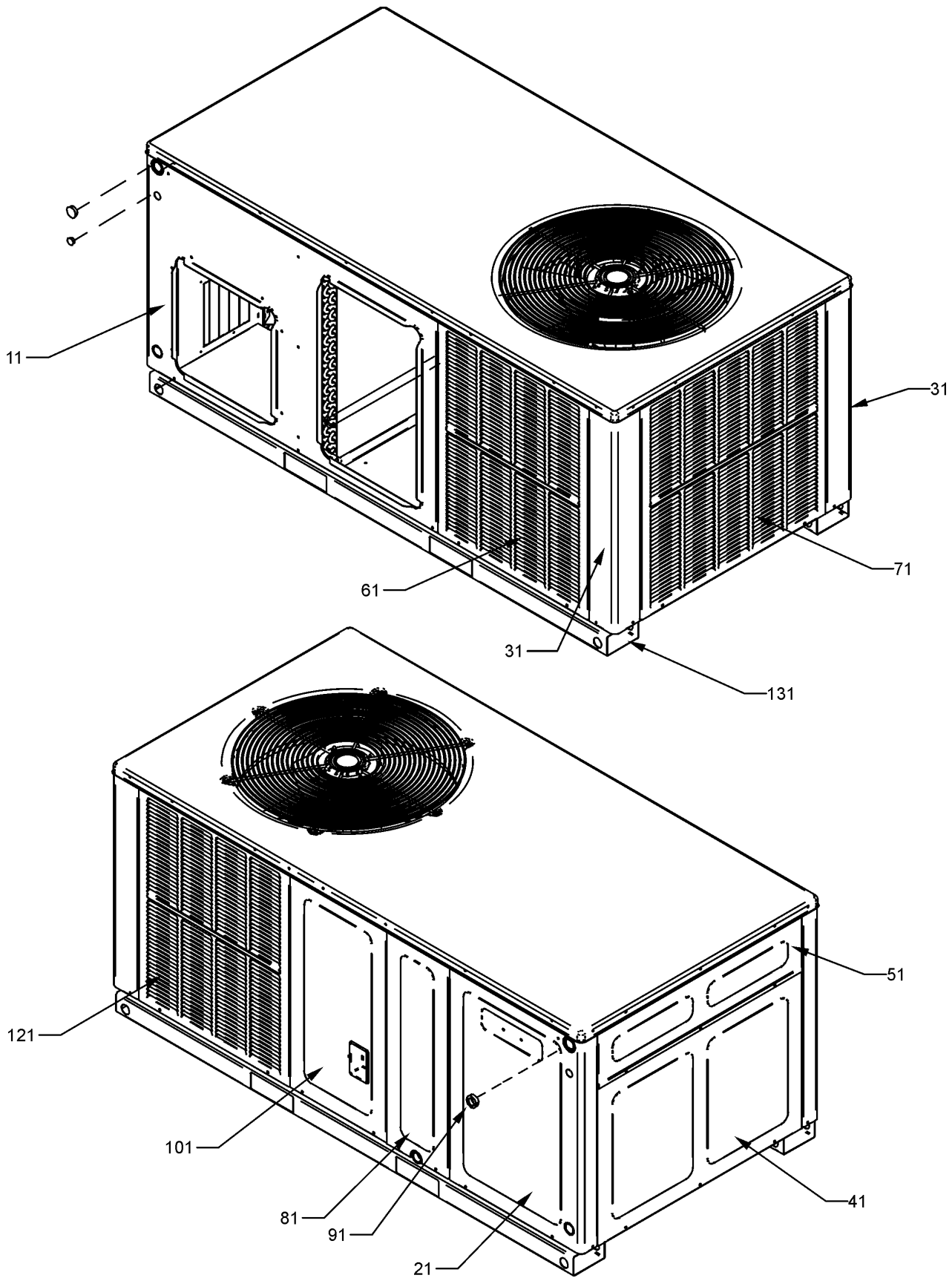
Warranty service must be performed by an authorized technician, using authorized factory parts. If service is required after the warranty expires, Goodman Manufacturing Company, L.P. also recommends contacting an authorized technician and using authorized factory parts.

Goodman Manufacturing Company, L.P. reserves the right to discontinue, or change at any time, specifications or designs without notice or without incurring obligations.

For assistance within the U.S.A. contact:
Consumer Affairs Department
Goodman Manufacturing Company, L.P.
7401 Security Way
Houston, Texas 77040
877-254-4729-Telephone
713-863-2382-Facsimile

For assistance outside the U.S.A. contact:
International Division
Goodman Manufacturing Company, L.P.
7401 Security Way
Houston, Texas 77040
713-861-2500-Telephone
713-863-2382-Facsimile

Cabinet Assembly



Cabinet Assembly

Ref. Part No: No:	Description:	Ref. Part No: No:	Description:
<i>Image 1:</i>		Expanded Model Nomenclature	
11	0270G00008P INSULATED ASSY, DUCT PANEL 27.5" (M1, M2, M3, M4, M5, M6, M7, M8)	M1 -	GPH1424H41AB
11	0270G00009P INSULATED ASSY, DUCT PANEL 32.5" (M9, M10, M11, M12, M13, M14, M15, M16)	M2 -	GPH1424H41AC
11	0270G00010P INSULATED ASSY, DUCT PANEL 36" (M17, M18, M19, M20, M21, M22, M23, M24)	M3 -	GPH1424H41BA
21	0270G00011P INSULATED ASSY, CORNER PANEL 27.5" (M1, M2, M3, M4, M5, M6, M7, M8)	M4 -	GPH1424H41CA
21	0270G00012P INSULATED ASSY, CORNER PANEL 32.5" (M9, M10, M11, M12, M13, M14, M15, M16)	M5 -	GPH1430H41AB
21	0270G00013P INSULATED ASSY, CORNER PANEL 36" (M17, M18, M19, M20, M21, M22, M23, M24)	M6 -	GPH1430H41AC
31	0121G00047PDG CORNER POST 27.5" (M1, M2, M3, M4, M5, M6, M7, M8)	M7 -	GPH1430H41BA
31	0121G00048PDG CORNER POST 32.5" (M9, M10, M11, M12, M13, M14, M15, M16)	M8 -	GPH1430H41CA
31	0121G00082PDG CORNER POST 36" (M17, M18, M19, M20, M21, M22, M23, M24)	M9 -	GPH1436H41AB
41	0270G00113 INSULATED ASSY, BLOWER DOOR 27.5" (M1, M2, M3, M4, M5, M6, M7, M8)	M10 -	GPH1436H41AC
41	0270G00114 INSULATED ASSY, BLOWER DOOR 32.5" (M9, M10, M11, M12, M13, M14, M15, M16)	M11 -	GPH1436H41BA
41	0270G00115 INSULATED ASSY, BLOWER DOOR 36" (M17, M18, M19, M20, M21, M22, M23, M24)	M12 -	GPH1436H41CA
51	0121G00276DG EXTERNAL CONTROL BOX PANEL	M13 -	GPH1442H41AB
61	0121G00069PDG LOUVERED PANEL 4 BANK 27.5" (M1, M2, M3, M4, M5, M6, M7, M8)	M14 -	GPH1442H41AC
61	0121G00090PDG LOUVERED PANEL 4 BANK 36" (M17, M18, M19, M20, M21, M22, M23, M24)	M15 -	GPH1442H41BA
61	0121G00070PDG PNL, LVR, 32.5" 4BANK (M9, M10, M11, M12, M13, M14, M15, M16)	M16 -	GPH1442H41CA
71	0121G00073PDG LOUVERED PANEL 5 BANK 32.5" (M9, M10, M11, M12, M13, M14, M15, M16)	M17 -	GPH1448H41AB
71	0121G00091PDG LOUVERED PANEL 5 BANK 36" (M17, M18, M19, M20, M21, M22, M23, M24)	M18 -	GPH1448H41AC
71	0121G00072PDG PNL, LVR, 27.5" 5BANK (M1, M2, M3, M4, M5, M6, M7, M8)	M19 -	GPH1448H41BA
81	0270G00017P EVAP PANEL INSUL ASSY-27.5" (M1, M2, M3, M4, M5, M6, M7, M8)	M20 -	GPH1448H41CA
81	0270G00018P EVAP PANEL INSUL ASSY-32.5" (M9, M10, M11, M12, M13, M14, M15, M16)	M21 -	GPH1460H41AB
81	0270G00019P EVAP PANEL INSUL ASSY-36" (M17, M18, M19, M20, M21, M22, M23, M24)	M22 -	GPH1460H41AC
91	B1392011 GROMMET / HS .62 - .45	M23 -	GPH1460H41BA
101	0121G00087P PNL, COMP 8.75" X 36" (M17, M18, M19, M20, M21, M22, M23, M24)		
101	0121G00062P PNL, COMP, 13.68" X 27.50" (M1, M2, M3, M4, M5, M6, M7, M8)		
101	0121G00060P PNL, COMP, 8.75" X 32.50" (M9, M10, M11, M12, M13, M14, M15, M16)		
121	0121G00069PDG LOUVERED PANEL 4 BANK 27.5" (M1, M2, M3, M4, M5, M6, M7, M8)		
121	0121G00090PDG LOUVERED PANEL 4 BANK 36" (M17, M18, M19, M20, M21, M22, M23, M24)		
121	0121G00070PDG PNL, LVR, 32.5" 4BANK (M9, M10, M11, M12, M13, M14, M15, M16)		
131	0121G00044PRF BASEPAN RAIL (QTY 2)		

Chassis Assembly

Image 1

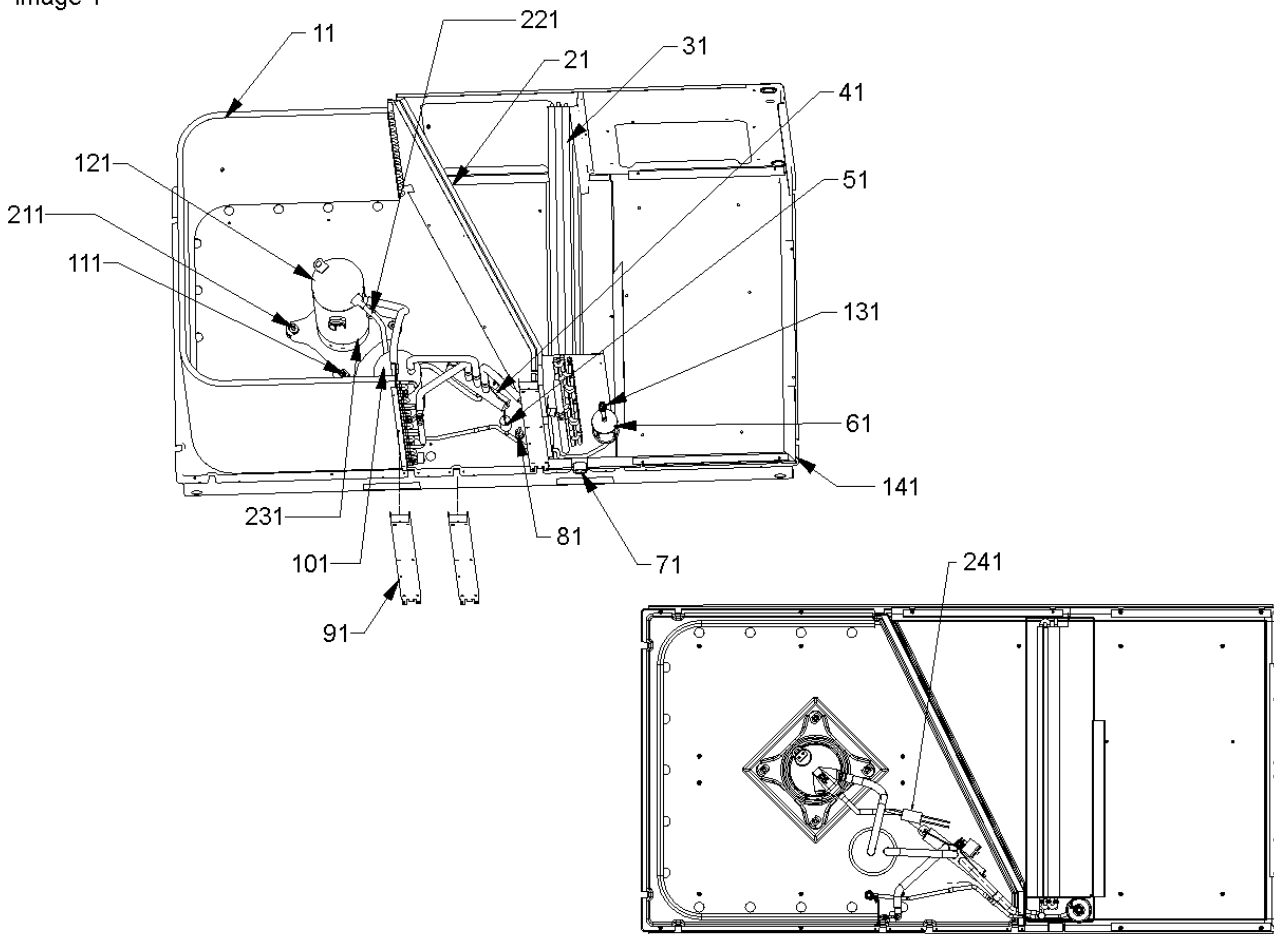


Image 2

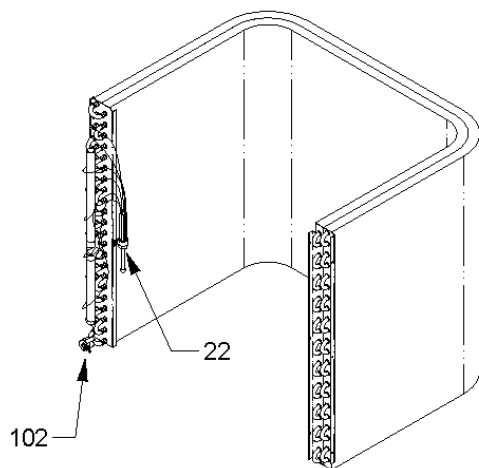
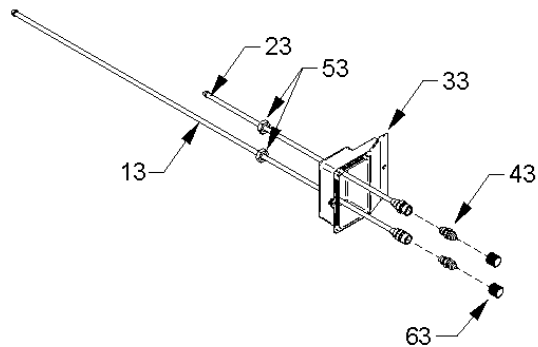


Image 3



Chassis Assembly

Ref. Part No: No:	Description:	Ref. Part No: No:	Description:
<i>Image 1:</i>		<i>Image 1:</i>	
11	0201G00145 COND COIL TUBING ASSY (M17, M18, M19)	121	ZP39K5EPFV130 COMPRESSOR 39000, 208/230/60/1 (M17, M18, M19, M20)
11	0201G00279 COND COIL TUBING ASSY (M4, M8)	121	ZP51K5EPFV130 COMPRESSOR 51000, 208/230/60/1 (M21, M22, M23, M24)
11	0201G00285 COND COIL TUBING ASSY (M14, M15)	131	0162M00111 FLOWRATOR .057 (M1, M2, M3)
11	0201G00286 COND COIL TUBING ASSY (M10, M11)	131	0162M00018P FLOWRATOR .065 (M5, M6, M7)
11	0201G00289 COND COIL TUBING ASSY (M6, M7)	131	0162M00053 FLOWRATOR .068 (M9, M10, M11)
11	0201G00290 COND COIL TUBING ASSY (M2, M3)	131	0162M00109 FLOWRATOR .072 (M13, M14, M15)
11	0201G00294 COND COIL TUBING ASSY (M16)	131	0162M00019P FLOWRATOR .076 [EVAP] (M17, M18, M19)
11	0201G00295 COND COIL TUBING ASSY (M20)	131	0162M00093 FLOWRATOR .088 (M21, M22, M23)
11	0201G00296 COND COIL TUBING ASSY (M24)	141	0121G00046P INSULATED ASSY, BASEPAN
11	0201G00298 COND COIL TUBING ASSY (M12)	141	0273G00001P INSULATED ASSY, BASEPAN
11	0201G00123 TUBING ASSY, COND COIL (M13)	211	M0221641 TF SHOULDER SCREW (QTY 4)
11	0201G00126 TUBING ASSY, COND COIL (M9)	221	0230G00005 CRANKCASE HEATER SWITCH (M21, M22, M23, M24)
11	0201G00131 TUBING ASSY, COND COIL (M5)	231	0163R00003 HEATER, CRANKCASE 230V 40W (M21, M22, M23, M24)
11	0201G00156 TUBING ASSY, COND COIL (M21, M22, M23)	241	0130M00075 LOW PRESSURE SWITCH (M2, M3, M4, M6, M7, M8, M10, M11, M12, M14, M15, M16, M18, M19, M20, M22, M23, M24)
11	0201G00160 TUBING ASSY, COND COIL (M1)	NS	0159G00004 COMPRESSOR SCROLL HARNESS
21	0270G00075 INSULATED ASSY, PARTITION PANEL 27.5" (M1, M2, M3, M4, M5, M6, M7, M8)	NS	0121G00043P EVAP DRIP SHIELD (M1, M2, M3, M5, M6, M7, M9, M10, M11, M13, M14, M15, M17, M18, M19, M21, M22, M23)
21	0270G00076 INSULATED ASSY, PARTITION PANEL 32.5" (M9, M10, M11, M12, M13, M14, M15, M16)	NS	0128G00052 EVAP DRIP SHIELD (M4, M8, M12, M16, M20, M24)
21	0270G00077 INSULATED ASSY, PARTITION PANEL 36" (M17, M18, M19, M20, M21, M22, M23, M24)	NS	B1225022 SOLENOID COIL
31	0202G00355 EVAP COIL TUBING ASSY (M20)	<i>Image 2:</i>	
31	0202G00356 EVAP COIL TUBING ASSY (M24)	22	0162M00213 FLOWRATOR (M12)
31	0202G00386 EVAP COIL TUBING ASSY (M4)	22	0162M00214 FLOWRATOR (M20)
31	0202G00388 EVAP COIL TUBING ASSY (M8)	22	0162M00021P FLOWRATOR .047 (M4, M5, M6, M7, M8)
31	0202G00389 EVAP COIL TUBING ASSY (M12)	22	0162M00112 FLOWRATOR .049 (M1, M2, M3)
31	0202G00390 EVAP COIL TUBING ASSY (M16)	22	0162M00098 FLOWRATOR .065 (M9, M10, M11, M13, M14, M15, M16, M17, M18, M19)
31	0202G00271 TUBING ASSY, EVAP COIL (M9, M10, M11)	22	0162M00216 FLOWRATOR W/ COPPER STUB ASSY (M24)
31	0202G00298 TUBING ASSY, EVAP COIL (M5, M6, M7)	102	0130M00099 CONTROL, DEFROST (M1, M2, M3, M4, M5, M6, M7, M8, M9, M10, M11, M12, M17, M18, M19, M20)
31	0202G00300 TUBING ASSY, EVAP COIL (M1, M2, M3)	102	0130M00102 CONTROL, DEFROST (M13, M14, M15, M16, M21, M22, M23, M24)
31	0202G00302 TUBING ASSY, EVAP COIL (M21, M22, M23)	<i>Image 3:</i>	
31	0202G00305 TUBING ASSY, EVAP COIL (M17, M18, M19)	13	0210G00031P PROCESS TUBE ASSY-SUCTION
31	0202G00307 TUBING ASSY, EVAP COIL (M13, M14, M15)	23	0210G00030P PROCESS TUBE ASSY-LIQUID (M1, M5, M9, M13, M17, M21)
41	0151M00019 REVERSING VALVE (M1, M2, M3, M4, M5, M6, M7, M8)	23	0210G00390 PROCESS TUBING ASSY-LIQ (M2, M3, M4, M6, M7, M8, M10, M11, M12, M14, M15, M16, M18, M19, M20, M22, M23, M24)
41	0151M00021 REVERSING VALVE (M9, M10, M11, M12, M13, M14, M15, M16, M17, M18, M19, M20, M21, M22, M23, M24)	33	0161G00008 ACCESS-FITTING BOX
51	0130M00074 HIGH PRESSURE SWITCH	43	B1373315 ACCESS FITTING (QTY 2)
61	20485201 BI-FLOW FILTER DRIER	53	0163G00000P FASTEST FITTING NUT (QTY 2)
71	0270G00004P DRAIN PAN ASSY (M1, M2, M3, M5, M6, M7, M9, M10, M11, M13, M14, M15, M17, M18, M19, M21, M22, M23)	63	0163M00175 CAP WITH O-RING (QTY 2)
71	0270G00254 DRAIN PAN ASSY (M4, M8, M12, M16, M20, M24)		
81	0130M00075 LOW PRESSURE SWITCH (M1, M5, M9, M13, M17, M21)		
91	0121G00045P POST 27.5" (M1, M2, M3, M4, M5, M6, M7, M8)		
91	0121G00079P POST 32.5" (M9, M10, M11, M12, M13, M14, M15, M16)		
91	0121G00083P POST 36" (M17, M18, M19, M20, M21, M22, M23, M24)		
101	B1226206 ACCUMULATOR (M1, M2, M3, M4, M5, M6, M7, M8)		
101	B1226207 ACCUMULATOR .875 (M9, M10, M11, M12, M13, M14, M15, M16, M17, M18, M19, M20, M21, M22, M23, M24)		
111	B1339533 COMPRESSOR GROMMET (QTY 4)		
121	ZP34K5EPFV130 COMP,34500,208/230/60/1 (M13, M14, M15, M16)		
121	ZP21K5EPFV130 COMPRESSOR 21300, 208/230/60/1 (M1, M2, M3, M4)		
121	ZP25K5EPFV130 COMPRESSOR 25200, 208/230/60/1 (M5, M6, M7, M8)		
121	ZP31K5EPFV130 COMPRESSOR 31100, 208/230/60/1 (M9, M10, M11, M12)		

Chassis Assembly

Ref. Part

No: No:

Description:

Ref. Part

No: No:

Description:

Expanded Model Nomenclature

M1 - GPH1424H41AB
M2 - GPH1424H41AC
M3 - GPH1424H41BA
M4 - GPH1424H41CA
M5 - GPH1430H41AB
M6 - GPH1430H41AC
M7 - GPH1430H41BA
M8 - GPH1430H41CA
M9 - GPH1436H41AB
M10 - GPH1436H41AC
M11 - GPH1436H41BA
M12 - GPH1436H41CA
M13 - GPH1442H41AB
M14 - GPH1442H41AC
M15 - GPH1442H41BA
M16 - GPH1442H41CA
M17 - GPH1448H41AB
M18 - GPH1448H41AC
M19 - GPH1448H41BA
M20 - GPH1448H41CA
M21 - GPH1460H41AB
M22 - GPH1460H41AC
M23 - GPH1460H41BA

Top Panel and Control Box Assembly

Image 1

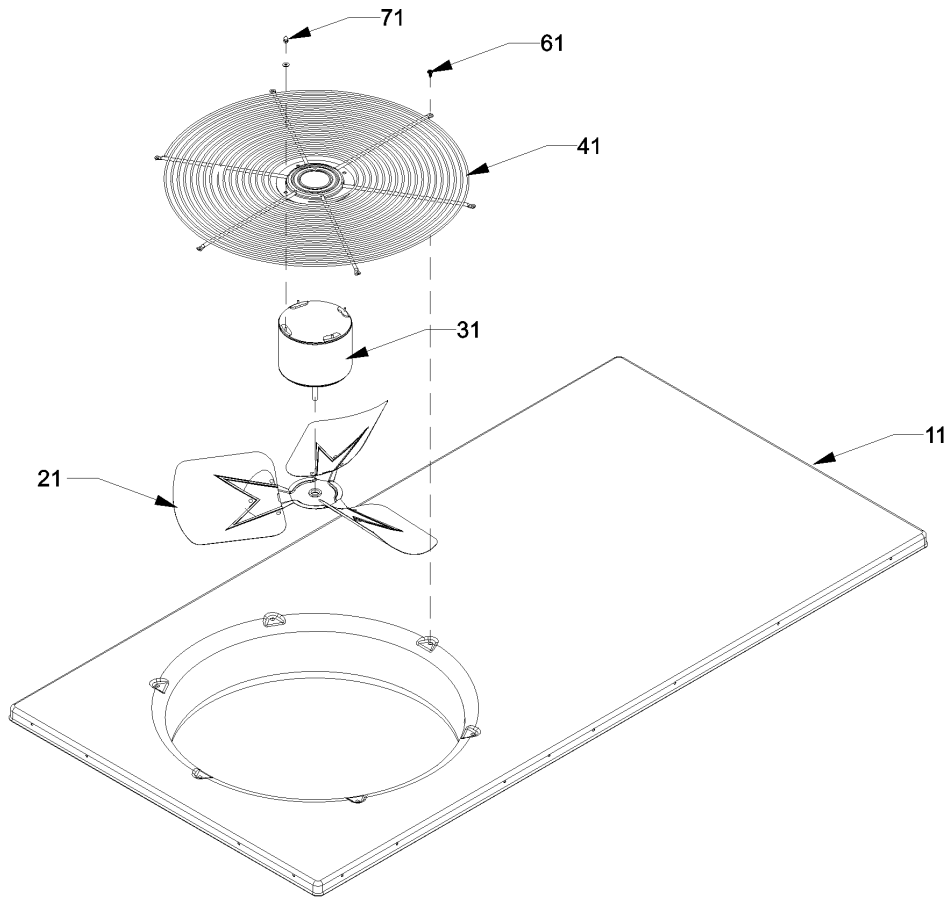
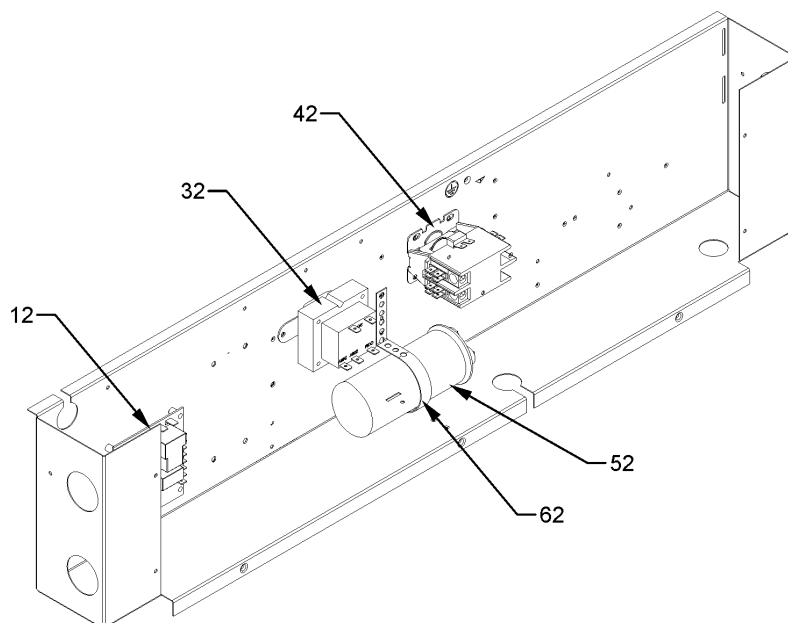


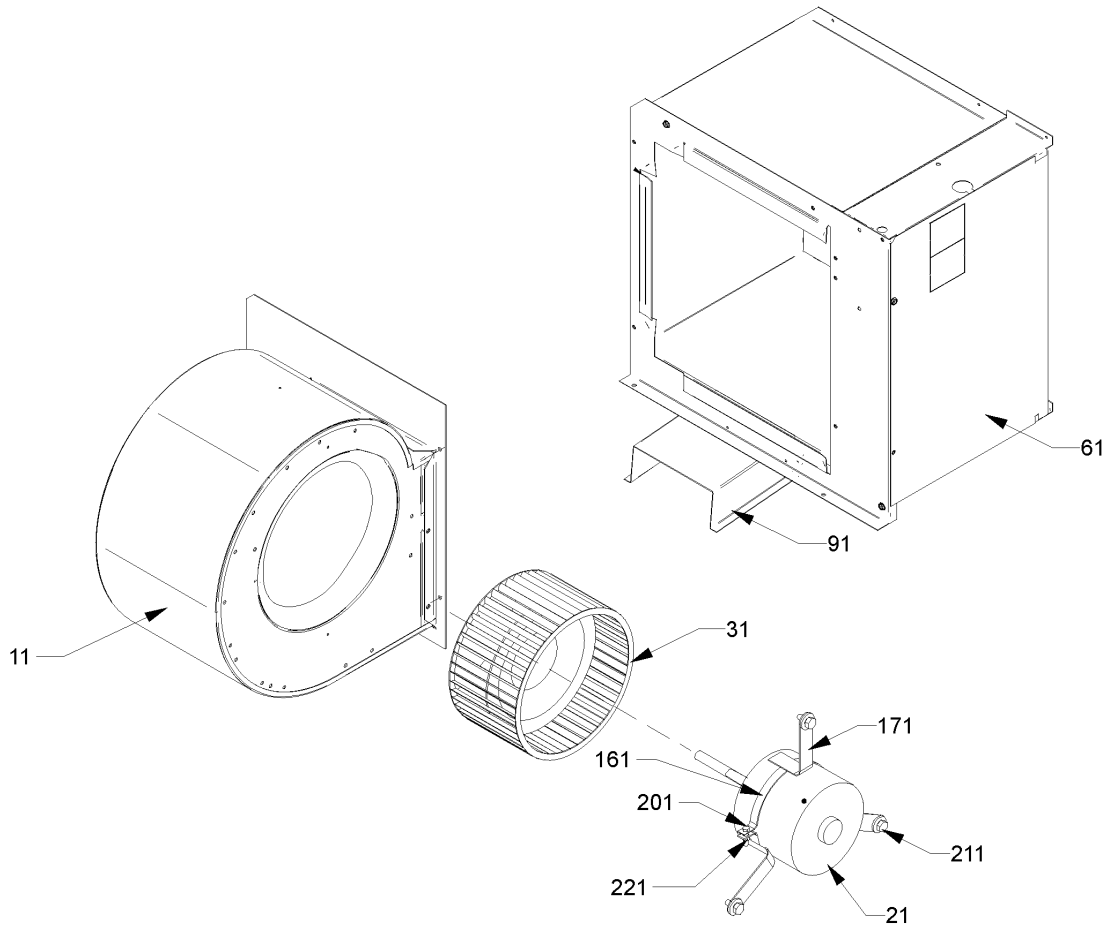
Image 2



Top Panel and Control Box Assembly

Ref. Part No:	No:	Description:	Ref. Part No:	No:	Description:
<i>Image 1:</i>			Expanded Model Nomenclature		
11	0274G00037	INSULATED ASSY, TOP PANEL	M1	-	GPH1424H41AB
21	0150G00001	FAN BLADE (M13, M14, M15, M16, M17, M18, M19, M20, M21, M22, M23, M24)	M2	-	GPH1424H41AC
21	0150G00005	FAN BLADE (M1, M2, M3, M4, M5, M6, M7, M8)	M3	-	GPH1424H41BA
21	B1086765	FAN BLADE TYPE 3 (M9, M10, M11, M12)	M4	-	GPH1424H41CA
31	0131M00007P	COND MOTOR 1/4 HP, 1 SP, 6 PL (M13, M14, M15, M16, M17, M18, M19, M20, M21, M22, M23, M24)	M5	-	GPH1430H41AB
31	0131M00061	COND MOTOR 1/4 HP, 1 SP, 8 PL (M9, M10, M11, M12)	M6	-	GPH1430H41AC
31	0131M00009P	COND MOTOR 1/6 HP, 1 SP, 8 PL (M1, M2, M3, M4, M5, M6, M7, M8)	M7	-	GPH1430H41BA
41	0152G00002	GRILLE-FAN	M8	-	GPH1430H41CA
61	M0221817	SMALL SCREW (QTY 4)	M9	-	GPH1436H41AB
71	0163M00006P	ACORN NUT 5/16 HEX BLACK (QTY 4)	M10	-	GPH1436H41AC
NS	17788000083F	PVC CONDUIT 8.25"	M11	-	GPH1436H41BA
<i>Image 2:</i>			M12	-	GPH1436H41CA
12	PCBDM160	PCB, DEFROST CONTROL	M13	-	GPH1442H41AB
32	B1141643	TRANSFORMER 208/230, 24V	M14	-	GPH1442H41AC
42	CONT1P025024V	CONTACTOR 25 AMP, 1P, 24V (M1, M2, M3, M4, M5, M6, M7, M8, M9, M10, M11, M12)	M15	-	GPH1442H41BA
42	CONT2P030024V	CONTACTOR 30 AMP, 2P, 24V (M13, M14, M15, M16, M17, M18, M19, M20)	M16	-	GPH1442H41CA
42	CONT2P040024V	CONTACTOR 40 AMP, 2P, 24V (M21, M22, M23, M24)	M17	-	GPH1448H41AB
52	CAP050400440RT	CAPACITOR 5/40/440V (M1, M2, M3, M4, M5, M6, M7, M8)	M18	-	GPH1448H41AC
52	CAP050450440RT	CAPACITOR 5/45/440V (M9, M10, M11, M12, M13, M14, M15, M16, M17, M18, M19, M20)	M19	-	GPH1448H41BA
52	CAP050700440RT	CAPACITOR 5/70 MFD/440V/DUAL RD (M21, M22, M23, M24)	M20	-	GPH1448H41CA
62	20520901	CAPACITOR STRAP	M21	-	GPH1460H41AB
NS	0259G00003	WIRE HARNESS, ELECTRIC HEAT	M22	-	GPH1460H41AC
			M23	-	GPH1460H41BA

Blower Assembly



Blower Assembly

**Ref. Part
No: No:**

Description:

**Ref. Part
No: No:**

Description:

Image 1:

11	10324248	BLOWER HOUSING 10 X 8 (M1, M2, M3, M4, M5, M6, M7, M8, M9, M10, M11, M12, M13, M14, M15, M16, M17, M18, M19, M20)
11	0271G00017	BLOWER HOUSING 11 X 8 (M21, M22, M23, M24)
21	0131M00347	MOTOR - 3/4 HP PROGRAMMED SELE (M17, M18)
21	0131M00349	MOTOR - 3/4 HP PROGRAMMED SELE (M21, M22)
21	0131M00369	MOTOR-1/2 HP PROGRAMMED SELEC (M1, M2)
21	0131M00370	MOTOR-1/2 HP PROGRAMMED SELEC (M5, M6)
21	0131M00371	MOTOR-1/2 HP PROGRAMMED SELEC (M9, M10)
21	0131M00372	MOTOR-1/2 HP PROGRAMMED SELEC (M13, M14)
21	0131M00415	PROGRAMMED MOTOR (M3, M4)
21	0131M00417	PROGRAMMED MOTOR (M7, M8)
21	0131M00418	PROGRAMMED MOTOR (M11, M12)
21	0131M00421	PROGRAMMED MOTOR (M15, M16)
21	0131M00422	PROGRAMMED MOTOR (M19, M20)
21	0131M00424	PROGRAMMED MOTOR (M23, M24)
31	B1368016	BLOWER WHEEL 10 X 8 (M1, M2, M3, M4, M5, M6, M7, M8, M9, M10, M11, M12, M13, M14, M15, M16, M17, M18, M19, M20)
31	B1368054	BLOWER WHEEL 11 X 8 (M21, M22, M23, M24)
61	0121G00039P	HEATER KIT COVER
91	0121G00040P	BLOWER SUPPORT
161	0121M00038	MOTOR MOUNT BAND
171	B1376853	MOTOR MOUNT ARM (M1, M2, M3, M4, M5, M6, M7, M8, M9, M10, M11, M12, M13, M14, M15, M16, M17, M18, M19, M20)
171	B1376857	MOTOR MOUNT ARM (M21, M22, M23, M24)
201	B1393323	MACHINE SCREW HWH 1/4-20 X 1-1/2 BZ
211	M0250565	TC SCREW 1.25" (QTY 3)
221	B1393800	LOCKNUT, NYLON, INSERT 1/4, 20
NS	C6121810	BLOWER CUT-OFF (M1, M2, M3, M4, M5, M6, M7, M8, M9, M10, M11, M12, M13, M14, M15, M16, M17, M18, M19, M20)
NS	2964700	BLOWER CUT-OFF 11 X 8 (M21, M22, M23, M24)

Expanded Model Nomenclature

M1 - GPH1424H41AB
M2 - GPH1424H41AC
M3 - GPH1424H41BA
M4 - GPH1424H41CA
M5 - GPH1430H41AB
M6 - GPH1430H41AC
M7 - GPH1430H41BA
M8 - GPH1430H41CA
M9 - GPH1436H41AB
M10 - GPH1436H41AC
M11 - GPH1436H41BA
M12 - GPH1436H41CA
M13 - GPH1442H41AB
M14 - GPH1442H41AC
M15 - GPH1442H41BA
M16 - GPH1442H41CA
M17 - GPH1448H41AB
M18 - GPH1448H41AC
M19 - GPH1448H41BA
M20 - GPH1448H41CA
M21 - GPH1460H41AB
M22 - GPH1460H41AC
M23 - GPH1460H41BA